

**DATA SHEET FOR SUBMERSIBLE
CENTRIFUGAL PUMPS**

Description	Value
General information:	
Product name:	Submersible sewage pump
Site:	
Product No:	150WQ200-28-30KW
Technical:	
Required flow:	200 m3/hr (870GPM)
Head:	28m (93 feet)
Main power supply:	440v,60hz,3 phase
Type of impeller:	Closed
Impellor stages:	single
shaft seal:	Mechanical seal
Curve tolerance:	ISO9906:2012 3B
Cooling Type:	OIL COOLING
Main Materials:	
Pump housing:	Cast iron
Impeller:	Cast iron
shaft:	Stainless steel
Bearing	Cast iron
Motor:	Cast iron
Installation:	
Location:	Outdoor
Flange standard:	GB
Pump inlet:	Open
Discharge diameter:	DN 150mm
Pressure stage:	PN 16
Maximum submerged depth:	20 m
Inst dry/wet:	SUBMERGED
Installation:	VERTICAL
Liquid:	
Pumped liquid:	sewage water
Maximum liquid temperature:	40°C
Liquid temp:	38°C
Relative density:	1.157
viscosity:	3-6pas
corrosive:	no
Solid content:	≤20%
Max solid passage dia.	2"
Electrical data:	
Number of poles:	4
Rated power :	30KW / 40HP
Mains frequency:	60 Hz
Rated voltage:	440 V
Rated speed:	1750 rpm
Insulation class	H
IP class:	IP68
Voltage tolerance:	=10/-10%
Start. method:	soft start
Max starts per. hour:	10
Rated current:	51.8A
Cos phi - power factor:	0.85
Motor efficiency at full load:	85.50%
Cable Length:	20m

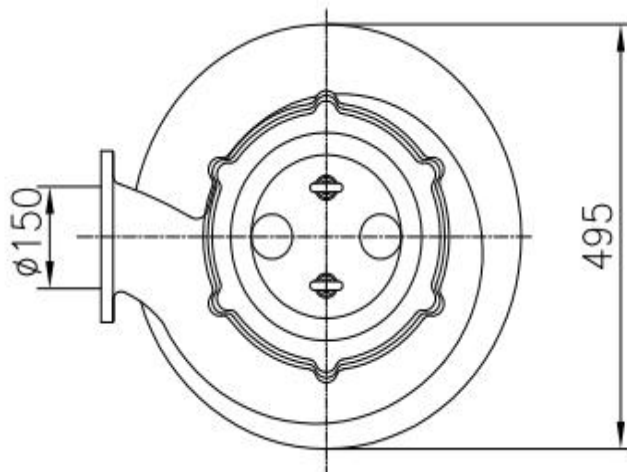
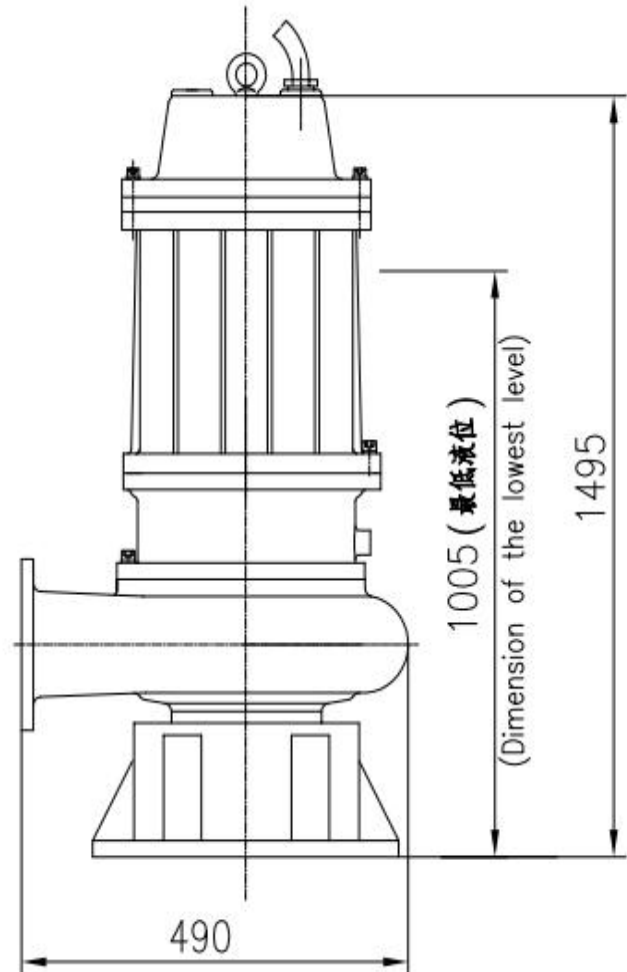
Company name:
ZHENGZHOU SHENLONG PUMP INDUSTRY CO., LTD

Created by: Tony

Phone: +19139724131

Date: 09/05/2024

Description	Value
-------------	-------



Remark:

- 1) Dimensions are given for general information.
- 2) Dimensions are given in mm.

**DATA SHEET FOR SUBMERSIBLE
CENTRIFUGAL PUMPS**

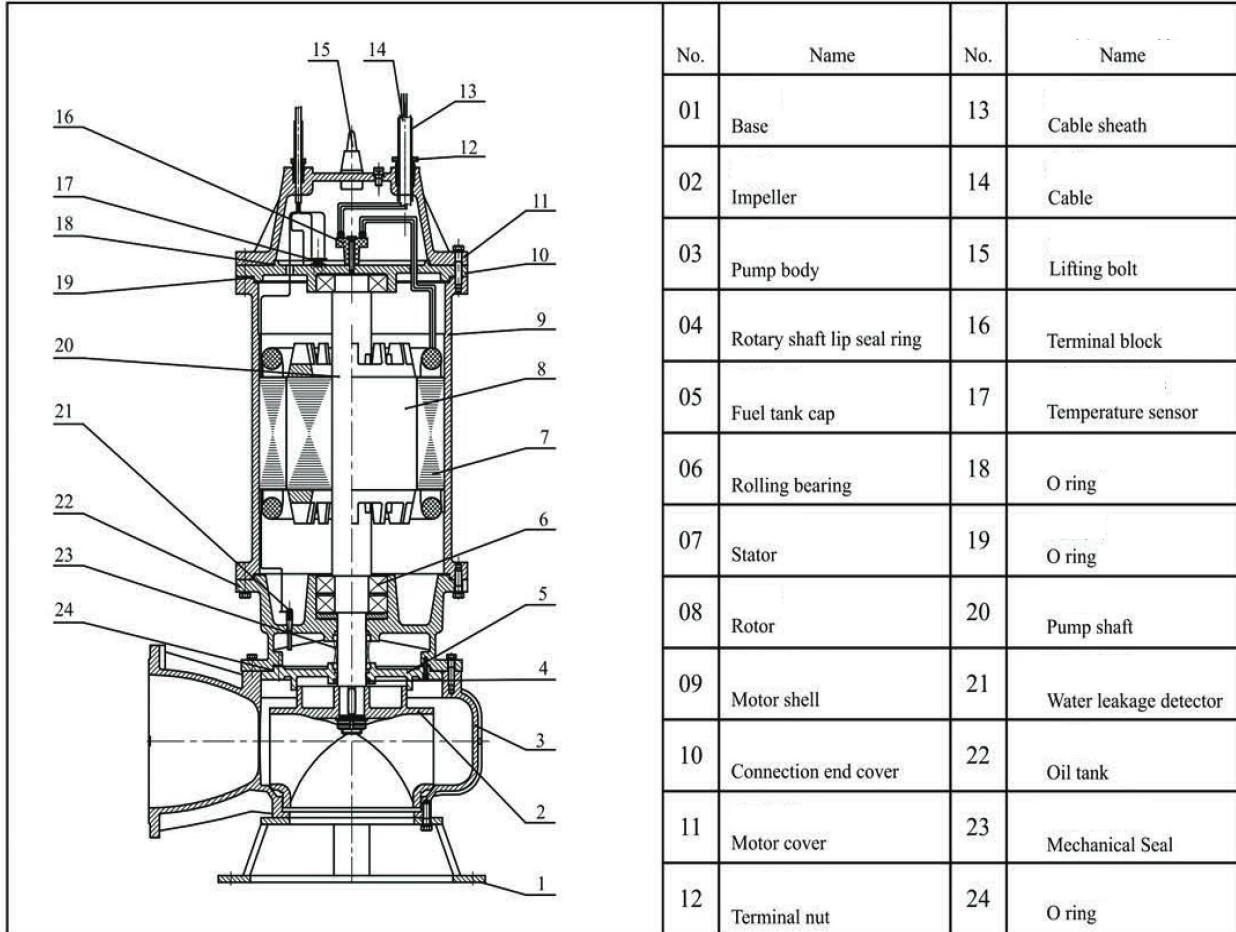
Company name:
ZHENGZHOU SHENLONG PUMP INDUSTRY CO., LTD

Created by: Tony

Phone: +19139724131

Date: 09/05/2024

Fig. 1



Remark: The item 17,21 is optional

**DATA SHEET FOR SUBMERSIBLE
CENTRIFUGAL PUMPS**

Created by: Tony

Phone: +19139724131

Date: 09/05/2024

PERFORMANCE CURVE

